

FORD

Economy

PLOWS

**OWNER'S
MANUAL**



Prepared by

**TRACTOR AND IMPLEMENT DIVISION
FORD MOTOR COMPANY**

Ford Farming

GETS MORE DONE
...AT LOWER COST



EQUIPMENT WARRANTY

FORD MOTOR COMPANY (hereinafter called "Company"), warrants to the original purchaser (hereinafter called "Purchaser") from it each part of any equipment (except pneumatic tires) sold by it bearing the name "Ford" or the trade-mark "Dearborn" to be free under normal use and service from defects in material and workmanship for a period of six (6) months from the date of delivery to the original retail purchaser. Company's obligation under this warranty is limited to replacement of, at Company's factory or at a location designated by Company, or credit for, such parts as shall be returned to Company with transportation charges prepaid and as shall be acknowledged by Company to be defective. Purchaser shall notify Company of any such defective part of which Purchaser obtains knowledge within twenty (20) days after Purchaser obtains such knowledge. This warranty shall not apply to any equipment that has been subject to misuse, negligence or accident, or in which parts not made or supplied by Company are used if, in the sole judgment of Company, such use affects its performance, stability or reliability, or which shall have been altered or repaired outside of Company's own factory in a manner which, in the sole judgment of Company, affects its performance, stability or reliability. This warranty is expressly in lieu of all other warranties, express or implied, and of all other obligations or liabilities on the part of Company, except such obligations or liabilities as Company may assume by other separate written instrument.

Company reserves the right to make changes in its products at any time and from time to time without notice to Purchaser and without incurring any obligation with respect to any of its products theretofore ordered or purchased by or delivered to Purchaser.

FORD[®] ECONOMY PLOWS

OWNER'S MANUAL

Copyright 1956
FORD MOTOR COMPANY
DEARBORN, MICHIGAN
All Rights Reserved

Prepared by
**TRACTOR AND IMPLEMENT DIVISION
FORD MOTOR COMPANY**
Birmingham, Michigan

Litho in U.S.A.

Form SE 6331

ECONOMY PLOW MODEL AND SERIAL NUMBER

When ordering parts or requesting information from your Ford Tractor and Implement Dealer, always specify the Model and Serial Number of your plow.

The numbers are located on a metal tag, on the right side of the "A" frame. They should be recorded immediately in the spaces provided below.

MODEL NO.

SERIAL NO.

FOREWORD

The Ford Economy Plow which you have purchased is designed to perform efficiently and economically under a wide variety of conditions. We are happy to have you as a Ford owner and are confident that you will receive unequalled performance from your implement.

This manual has been prepared to acquaint you with the preparation for use, operation and care of your new Economy Plow. The section on shipping and assembly, while intended for use by the Dealer, may also be of interest to you. Read the manual carefully at your first opportunity and keep it in a convenient location for later reference.

If, at any time, you have a question or problem concerning your new plow, remember that your Ford Tractor and Implement Dealer is best qualified and equipped to serve your needs. With the proper treatment and service, your plow should provide you with a long life of dependable and profitable service.

TRACTOR AND IMPLEMENT DIVISION
FORD MOTOR COMPANY
SERVICE DEPARTMENT

OPERATION

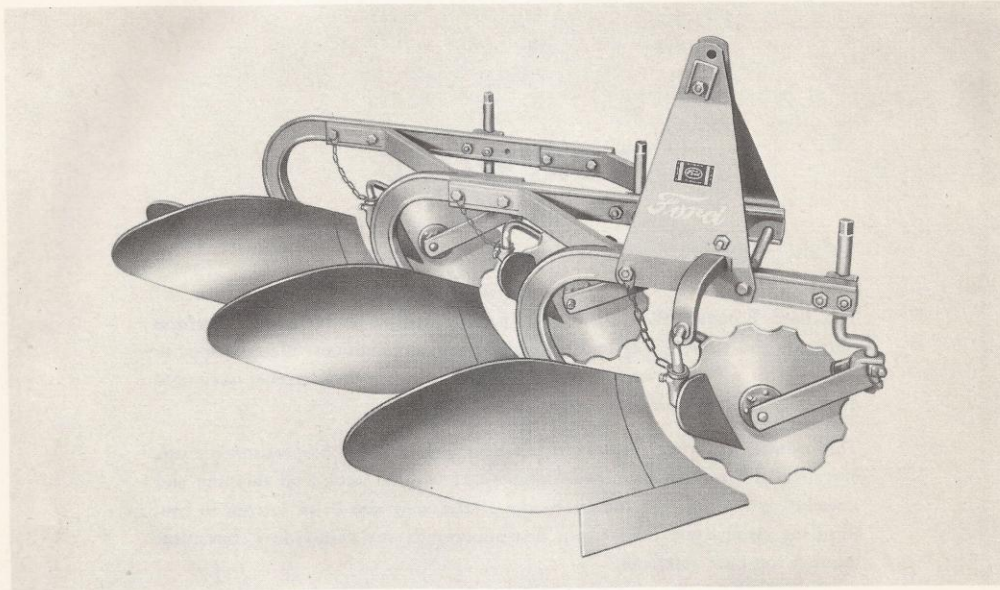


Figure 1

The Ford Three Bottom Economy Plow

The Ford Economy Plow is a rugged, easily adjusted implement.

The frame is constructed of high carbon heat treated steel to withstand hard usage and provide surplus strength and rigidity for satisfactory operation. Increased weight also provides better penetration and traction through the transfer of weight to the tractor.

In this plow, conventional shares are replaced by low cost polished or shot blasted "Razor Blade" shares. This eliminates the expense and inconvenience of resharpening worn shares. The penetration properties have been increased since the new share has suck throughout its entire length. The Economy bottoms are provided with replaceable shins to prolong the life of the moldboards.

The Economy Plow is easily attached and detached from the Ford Tractor with the standard 3-point hook-up. Through the use of Constant Draft Control for rolling land and Implement Position Control for

level land, a uniform furrow depth can be maintained.

The Ford, Two and Three Bottom Economy Plows are available in the following models:

<i>Three Bottom</i>	<i>Two Bottom</i>	
10-206	10-151	Scotch Bottom 10"
10-207	10-152	Economy Bottom 12"
10-208	10-153	Sod and Clay Bottom 12"
10-209	10-156	Economy Bottom 14"
10-210		Economy Combination Bottom 14"
	10-157	Economy Combination Bottom 14"
10-211	10-158	General Purpose Bottom 14"
10-212	10-159	Stubble Bottom 14"
	10-161	Economy Bottom 16"
10-215	10-214	Economy Sod and Clay Bottom 12"
10-217	10-216	Economy Sod and Clay Bottom 14"

In addition to the four types of Economy bottoms there are four standard bottoms in the Ford line which may be used with the Economy frame.

OPERATION



Figure 2

The Ford Economy Plow at Work

OPERATION

The Ford Two Bottom and Three Bottom Economy Plow is easily operated from the tractor seat. This is true not only for normal plowing operations such as changing the plowing depth or raising the plow to transport position, but also when tilting the bottoms for making a scratch furrow or freeing the plow when obstructions are hit.

Recommended Tractor Wheel Spacings: It has become increasingly important that proper tread width settings be used with various sizes of the two and three bottom plows. This is necessary to keep the center of the draft of the plow more in line with the center of the tractor, thereby holding side draft to a minimum and taking full advantage of the power and traction of the tractor.

Because of extreme variations in soil conditions, it is impossible to recommend one tread width setting that will work under all conditions. The following chart lists the recommended tread width settings for each plow size for average conditions.

Plow Size -

10'-2 bottom
 10'-3 bottom
 12'-2 bottom
 12'-3 bottom
 14'-2 bottom
 14'-3 bottom
 16'-2 bottom
 16'-3 bottom

Tractor Rear Wheel Spacing

	4-Wheel	Tricycle
10'-2 bottom	52"	56"
10'-3 bottom	52"	56"
12'-2 bottom	52"	56"
12'-3 bottom	56"	56"
14'-2 bottom	56"	56"
14'-3 bottom	56"	56"
16'-2 bottom	60"	60"
16'-3 bottom	64"	64"

A better job of plowing can be done if the tractor front wheels on four-wheel tractors are set one space narrower than the rear wheels. This will keep the inside surfaces of the tires in line and will prevent the right rear wheel from climbing the furrow wall.

NOTE: For added traction, it is possible to increase the weight of the tractor by use of calcium chloride and water in the tires. Wheel weights and wheel weight boxes (for Tricycles) are available as accessories for this purpose also and are recommended for 3 Bottom Plows. See your Ford Tractor and Implement Dealer.

OPERATION

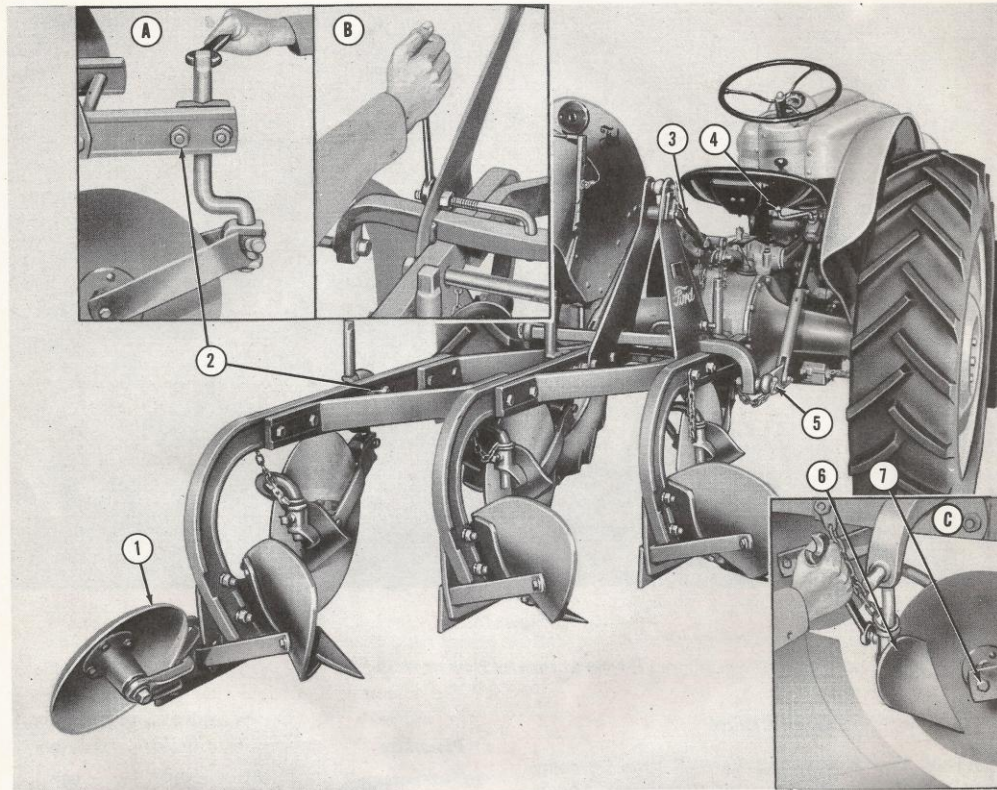


Figure 3

Plow Adjustments

The speed of operation while plowing will vary with certain conditions. However, the recommended engine operating speed under average conditions is 1750 r.p.m. in second gear or about 4 m.p.h. *Plowing in gears higher than second may result in damage to the equipment when stones or other obstructions are encountered.* The plowing depth can be varied over wide limits depending upon soil cover and the job to be done.

The Economy Plow is so designed that the necessary adjustments for proper operation are held to a minimum.

FIELD ADJUSTMENTS

Width of Cut: To adjust the plow frame for width of cut loosen and tighten the hex nuts on the adjust-

ing arm as shown in the insert "B", Figure 3. This adjustment on the arm slides the drawbar laterally in the "A" frame.

To decrease the width of cut, loosen the outside nut and tighten the inside nut. To increase the width of cut, loosen the inside nut and tighten the outside nut.

Moving the drawbar $\frac{1}{4}$ inch laterally changes the width of cut about one inch. One rotation of the adjusting nuts changes the width of cut about $\frac{1}{4}$ inch. This adjustment does not affect the pitch of the plow.

Side Tilt: The plow side tilt is adjusted by turning the leveling crank (4), Figure 3, which raises or lowers the tractor right hand lift link (5). This adjustment is necessary to level the plow and to set the plow at an

OPERATION

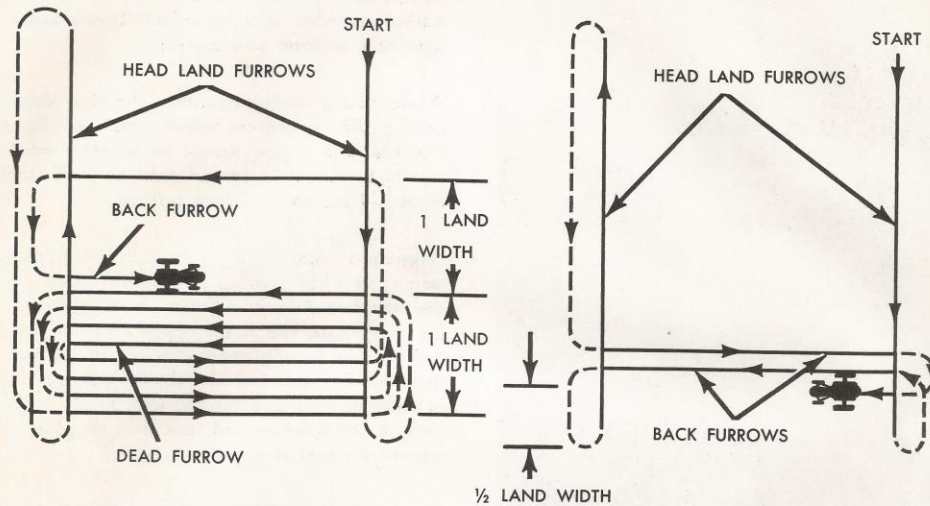


Figure 4

Two Methods of Opening a Field to be Plowed by Lands

angle when finishing a land, striking out a land, making a scratch furrow, or in forming terraces. Under certain conditions, tilting the wing of the plow up will increase penetration.

Rolling Landside: To adjust the rolling landside (1), Figure 3, loosen the two plow bolts which hold it to the sliding landside. Turn the adjusting bolt until the rolling landside is set from $\frac{3}{8}$ to $\frac{1}{2}$ inch below the lower edge of the sliding landside and secure with the locknut. Tighten the nuts on the plow bolts securely. This location should be checked in operation to assure proper adjustment.

Bottom Pitch: For normal conditions, the tractor adjustable upper link (3), Figure 3, should be set so that the rolling landside lightly touches the furrow bottom. In exceptionally loose soil the adjustable upper link may be lengthened, and in extremely hard soil conditions, the link may be shortened, to help increase penetration. However, when the top link is adjusted, the plow must be releveled.

Coulters: Normally, the rolling coulters should be set

approximately $1\frac{1}{4}$ inches above the nearest point of the plow bottom. Set the coulters just deep enough to cut the trash. Notched coulters are sold separately and are recommended for plowing in trashy and stony ground. The horizontal setting of the coulters blade is usually about $\frac{3}{4}$ of an inch to the left of the moldboard shin. Loosen the nuts (2), Figure 3, and set the coulters stem with a plow wrench as shown in the insert "A", Figure 3. Tighten the U-bolt nuts (2) securely.

Exact coulters settings vary greatly with soil conditions. The proper setting for a given field can be determined by the adjustment which produces a sharp, clean, vertical furrow wall.

Coulters Bearings: The coulters have cone type bearings with white iron male outer cones and chilled grey iron mating cones. Adjust the nut on the bolt (7), Figure 3, to take up excess play and secure with the locknut.

Jointer: The jointer (6), Figure 3, should be set with the point lightly touching the coulters blade. Jointers

OPERATION

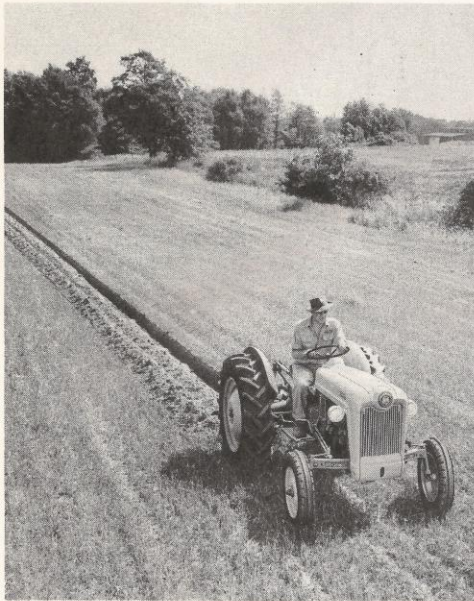


Figure 5

Opening a Land

should be set to cut from one to three inches deep for better trash coverage. To adjust, loosen the set screw on the jointer arm collar as shown in the insert "C," Figure 3.

PLOWING PROCEDURES

Good plowing is an art in which most farmers take great pride. Many have developed methods to meet their own needs. The following paragraphs cover some of the common terminology used, together with an explanation of some accepted plowing methods.

PLOWING BY LANDS

Plowing by lands is a method whereby the field is plowed in sections or strips. The following operations are performed when plowing by lands. Figure 4 shows a procedure for laying out the field.

Headland Furrows: Headland furrows should be marked out when opening a field. This is helpful in securing a uniform plowing job.

When making headland furrows, the plow should be tilted to the left with the leveling crank (4), Figure 3. The headland furrow should be turned toward the area to be plowed. Allow adequate room for turning between fence and headland furrows.

Opening a Land: Tilt the plow to the left in the same manner as when plowing a headland furrow. Lower the plow into the soil and drive across the field. Picking two points, one at the opposite end of the field and a second between the tractor and in line with the first, and driving in line with the two points is helpful in plowing a straight furrow. (See Figure 5.) Complete the back furrow and then level the plow at the start of the next round.

Entering Furrow: When entering a furrow, it is important to have the tractor in a position so that the plow will take a full cut. The plow should be lowered by moving the Ford Tractor Hydraulic Touch Control Lever forward as the rear wheels cross the headland furrow. Drive with the right front wheel of the tractor close to the furrow wall to insure the proper width of cut.

Leaving Furrow: After finishing a furrow and when the rear wheels cross the headland furrow, raise the plow by returning the Ford Tractor Hydraulic Touch Control Lever to the top of the quadrant. The turn should not be started until the plow is clear.

Finishing a Land: When the unfinished land is narrower than the tractor tread, level the plow with the leveling crank. The left front wheel should be driven near the furrow wall as shown in A and B, Figure 6. This will leave a narrow strip which may be neatly finished on the return trip by steering the right front wheel near the furrow wall. (See C and D, Figure 6.) Re-level the plow as needed.

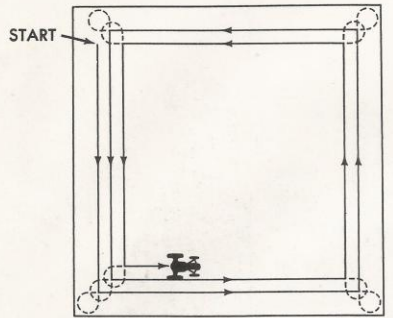
Finishing Out Field: Headlands are plowed after the lands have been plowed. Place the plow in working position and plow along the headland furrow, turning the soil toward the plowed ground. Repeat this operation until the headlands are plowed.

OPERATION

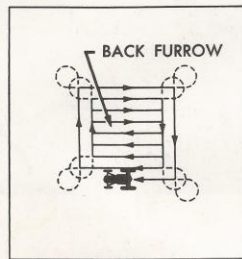


Figure 6
Finishing a Land

OPERATION



A—DEAD FURROW IN CENTER OF FIELD



B—BACK FURROW IN CENTER OF FIELD

Figure 7

Rectangular Plowing

RECTANGULAR PLOWING

To leave the dead furrow in the center of the field, an opening furrow is plowed around the field. Continue following this furrow until the area is plowed (See diagram A, Figure 7). One disadvantage of this method is that turns must be made on the plowed ground.

To plow from the center of the field, the first step is to make a short back furrow in the center of the field (See diagram B, Figure 7). Plow along this back furrow until the area is large enough to plow around the rectangle. Turns in this method are made on unplowed ground.

CONTOUR PLOWING

Many farmers prefer to plow on the contour for soil

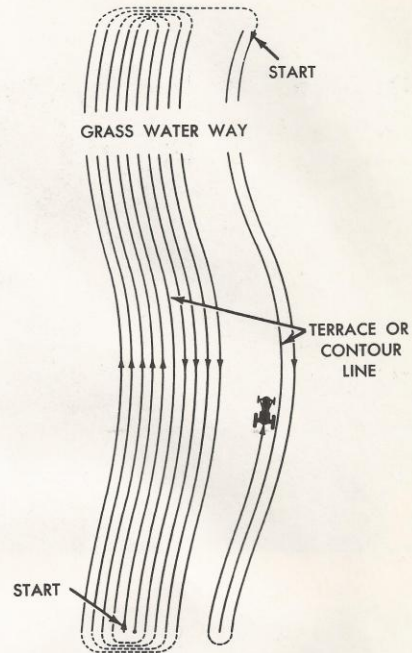


Figure 8

Contour Plowing Terraced Land

conservation reasons. When plowing terraced land, it is possible, during seedbed preparation, to turn the soil in such a manner as to build up the terrace crown, (See Figure 8). The short coupled, maneuverable Ford Tractor with the Ford Economy Plow is exceptionally well-suited for contour plowing. The Ford Tractor Hydraulic Touch Control eliminates lever tugging when crossing grassed waterways.

The following information on lubrication and adjustments should be adhered to for best results.

LUBRICATION

The lubrication fittings on the Ford Economy Plow are located as follows: one on each coulter bearing, and one on the rolling landside bearing. Lubricate these fittings daily with a tractor grease gun and a good grade of pressure gun grease.

OPERATION

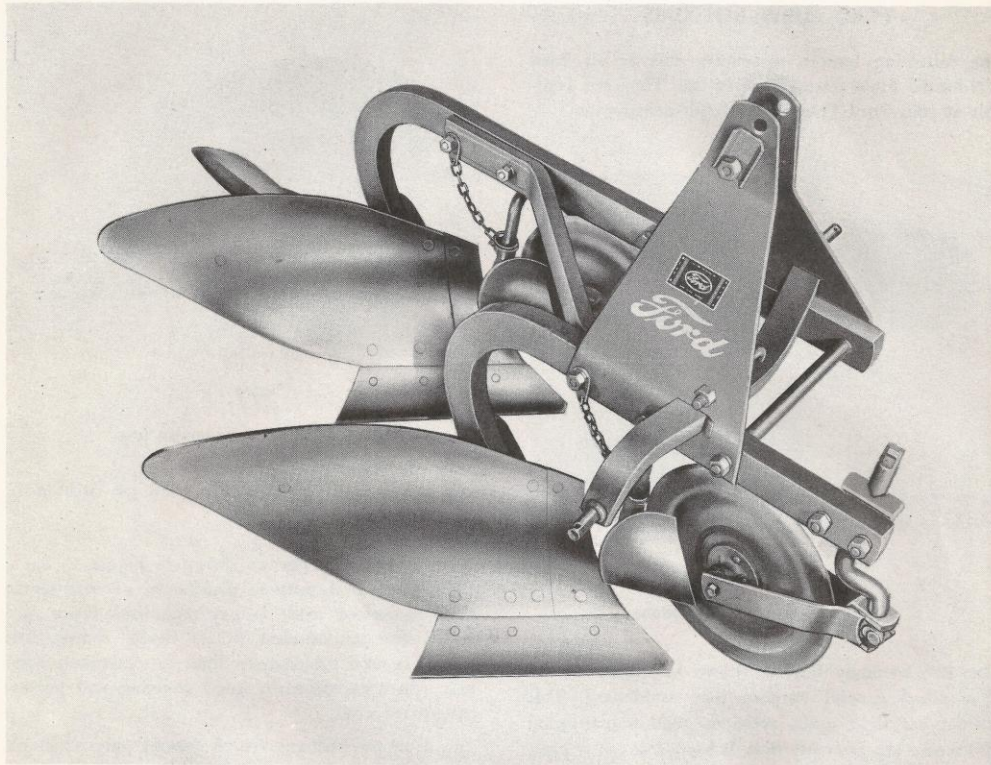


Figure 9

The Ford Two Bottom Economy Plow

TWO BOTTOM ECONOMY PLOW CONVERSION

In some areas, soil conditions permit satisfactory plowing with three bottoms. Under these conditions, the increased weight of the Three Bottom Economy Plow will provide better traction and penetration and will increase the plowing rate twenty-five to fifty per cent.

The Ford Two Bottom Plow (see Figure 9) may be readily converted to a Three Bottom Plow by means of Third Beam Conversion Kits.

The Model 10-61 Third Beam Conversion Kit is used for the 10" Frame, Model 10-62 for the 12" Frame and Model 10-63 for the 14" Frame. The following

bottom assemblies are available for the above Conversion Kits:

Model 10-162	Scotch Bottom 10"
Model 10-164	Economy Bottom 12"
Model 10-41	Sod and Clay Bottom 12"
Model 10-218	Economy Sod and Clay Bottom 12"
Model 10-220	Economy Sod and Clay Bottom 14"
Model 10-166	Economy Bottom 14"
Model 10-168	Economy Combination Bottom 14"
Model 10-36	General Purpose Bottom 14"
Model 10-170	Stubble Bottom 14"

For further information on converting two bottom plows to three bottom plows, see your Ford Tractor and Implement Dealer.

OPERATION

FORD PLOW BOTTOMS

The following bottom assemblies will fit all Ford Moldboard Plow frames now in use. They are available at your Ford Tractor and Implement Dealer.

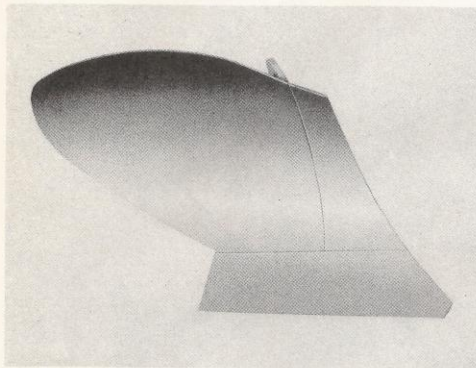


Figure 10

The Ford 12" Economy Bottom

The 12" Economy Bottom shown in Figure 10 has a modified general purpose type moldboard. This bottom has light draft, provides good pulverization and scours exceptionally well. It has a soft center type, carburized steel moldboard with a replaceable shin and special heat treated steel "Razor Blade" shares. This bottom is designed for use in tough, hard-to-scour soils where light draft, good covering, pulverizing and scouring are required.

The 14" Economy Bottom shown in Figure 11 has a soft center type, carburized steel moldboard with a replaceable shin and special heat treated steel "Razor Blade" shares. It is a modified general purpose type moldboard and may be used in a great majority of soils and conditions. It is an exceptionally good covering, pulverizing and scouring bottom.

The 14" Economy Combination Bottom shown in Figure 12 has a soft center type, carburized steel moldboard with a replaceable shin and is fitted with "Razor Blade" shares. This bottom has light draft, pulverizes

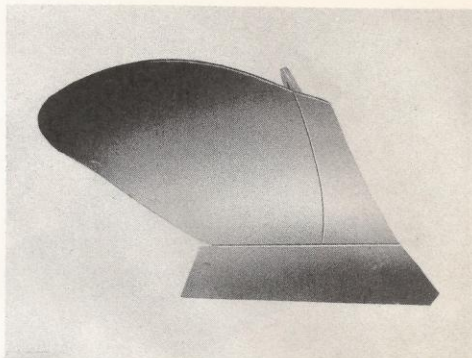


Figure 11

The Ford 14" Economy Bottom

well and does an exceptionally good job in hard-to-scour soils.

The 16" Economy Bottom shown in Figure 13 has a modified general purpose moldboard of soft center type, carburized steel. It has replaceable shins and special heat treated steel "Razor Blade" shares. This bottom is used primarily in light to moderately light soils where exceptionally good covering and pulverizing is required.

The Economy Bottoms are of general purpose shape.

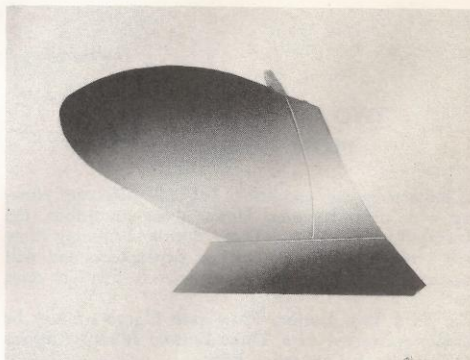


Figure 12

The Ford 14" Economy Combination Bottom

OPERATION

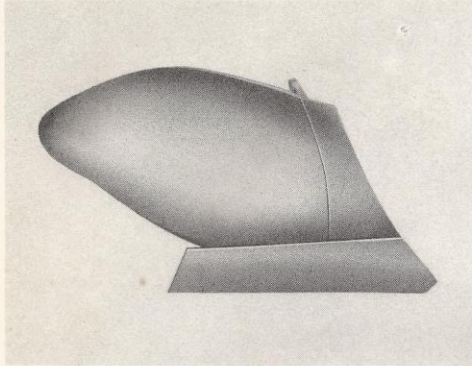


Figure 13

The Ford 16" Economy Bottom

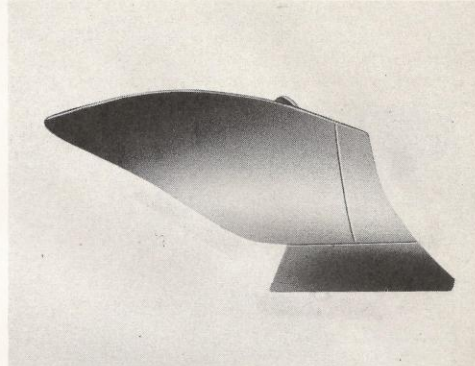


Figure 15

The Ford 12" and 14" Economy Sod and Clay Bottom

As such, they are not recommended for heavy sod or stiff clay.

The 10" Scotch Bottom shown in Figure 14 has a soft center, laminated steel moldboard and cast steel shares. This type of bottom is designed to stand the furrow slice on edge rather than invert it. It is well adapted to fall plowing where the land is to be left rough through the winter, or for control of wind and water erosion.

The 12" and 14" Economy Sod and Clay Bottoms (see Figure 15) are designed primarily for plowing heavy clay or stiff sod. The slow turning moldboard surface of this bottom eliminates broken furrow slices and provides uniform pulverization of the furrow. This bottom is equipped with replaceable, low cost "Razor Blade" shares. Moldboard extensions are also available as extra equipment. The Economy Sod and Clay Bot-

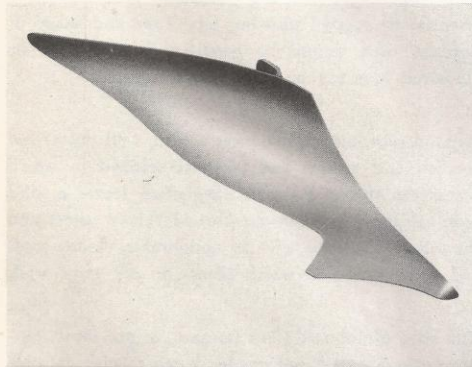


Figure 14

The Ford 10" Scotch Bottom

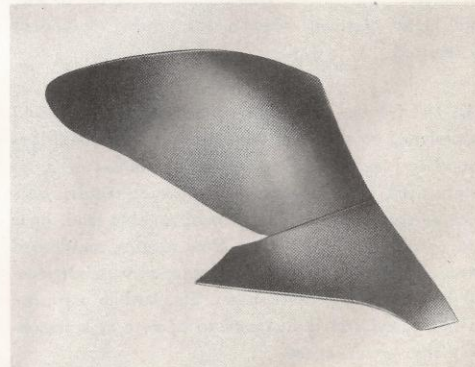


Figure 16

The Ford 12" Sod and Clay Bottom

OPERATION

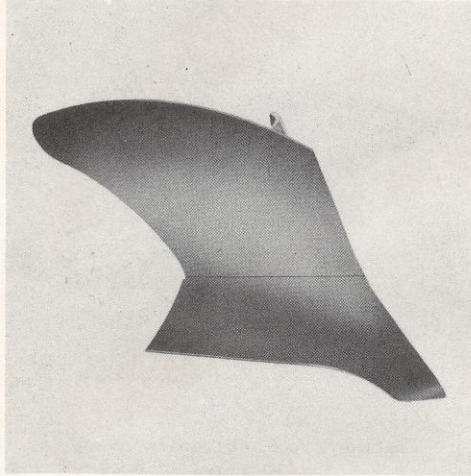


Figure 17

The Ford 14" General Purpose Bottom

tom is not recommended for use in areas where large rocks or other obstructions are prevalent.

The 12" Sod and Clay Bottom shown in Figure 16 is a modified general purpose bottom with a soft center type, laminated steel moldboard and soft center type carburized steel shares. This bottom is for use in sod, and "tight" clay soils where a slow turning moldboard is required.

The 14" General Purpose Bottom shown in Figure 17 is designed to do work under the varying conditions found on the general farm where rotation of crops is practiced. It will meet average plowing requirements such as the plowing of stalk land, stubble land, tame sod or old ground. It has a slow turning moldboard made of soft center steel and equipped with soft center type, carburized steel shares. This bottom is for use in heavy sod and is designed to operate at a reasonably high ground speed.

The 14" Stubble Bottom shown in Figure 18 is used in moderately light to light soils, requiring an excep-

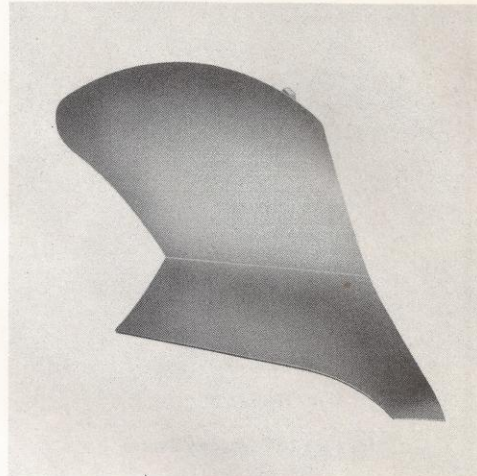


Figure 18

The Ford 14" Stubble Bottom

tionally strong share. It has a quick turning moldboard which scours, pulverizes and covers well. The moldboard is made of soft center laminated steel and is equipped with soft center type, carburized steel shares.

The proper selection of a moldboard plow bottom is essential to a good plowing job. Type and shape of bottoms used should be governed by the soil, its abrasives, scouring qualities and texture.

A good plowing job produces a firm, well pulverized rootbed and a firm and compact seedbed in which plants can thrive. Poor plowing often leaves a solid layer of trash between the turned furrow slices and the subsoil and may leave an undesirable, cloddy seedbed and rootbed in which plants do not grow well.

The Ford Moldboard Plow Bottoms, as previously outlined, are designed and manufactured to give dependable performance in a wide variety of conditions. These bottoms do a thorough job of breaking the soil and make a well turned furrow slice.

OPERATION

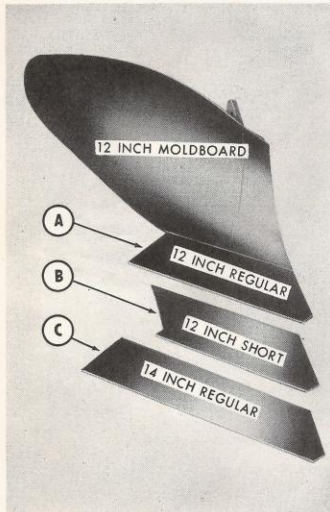


Figure 19

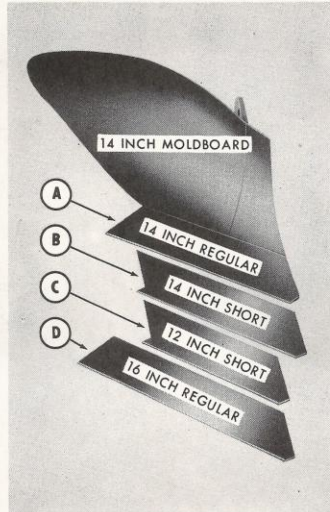


Figure 20

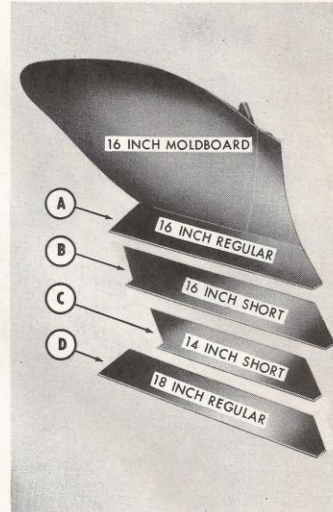


Figure 21

12" Moldboard and Share Combinations 14" Moldboard and Share Combinations 16" Moldboard and Share Combinations

SHARE USAGE

Shares are available in either the Polished Razor Blade or Shot Blast Razor Blade type and it is desirable that the correct share and moldboard combination be used for the job at hand. Combinations of bottoms with either type share, in regular or short sizes, add to the all-around utility of the Ford Two Bottom and Three Bottom Economy Plows.

NOTE: Shot Blast Razor Blade Shares are not recommended in areas where scouring is a significant problem.

Study the chart on this page along with Figures 19, 20 and 21 for information on share usage.

CONDITIONS	SUGGESTED COMBINATIONS		
For normal plowing conditions use a	12" Moldboard and a 12" Regular Share (See A, Figure 19)	14" Moldboard and a 14" Regular Share (See A, Figure 20)	16" Moldboard and a 16" Regular Share (See A, Figure 21)
For plowing deep rooted crops such as alfalfa or sweet clover in loose soil conditions use a	12" Moldboard and a 14" Regular Share (See C, Figure 19)	14" Moldboard and a 16" Regular Share (See D, Figure 20)	16" Moldboard and an *18" Regular Share (See D, Figure 21)
For hard or stony soil use a <i>NOTE: The economy bottoms are not recommended for use in severe rocky conditions, because excessive share damage may occur.</i>	12" Moldboard and a 12" Short Share (See B, Figure 19)	14" Moldboard and a 14" Short Share (See B, Figure 20) or in extreme conditions use a 12" Short Share (See C, Figure 20)	16" Moldboard and a 16" Short Share (See B, Figure 21) or in extreme conditions use a 14" Short Share (See C, Figure 21)

*The 18" shares are available only in the Polished Razor Blade type.

ATTACHMENTS

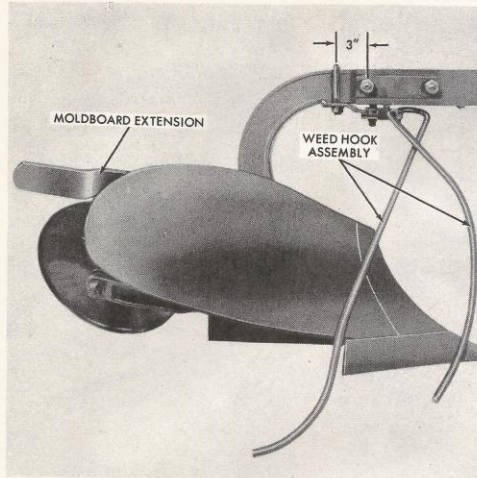


Figure 22

Weed Hook and Moldboard Extension
for Economy Plow

WEED HOOK ATTACHMENT

In fields where the stubble or vegetation is of such height that it cannot be satisfactorily plowed under, weed hooks (sold separately) may be used on the plow to a great advantage. They will hold the growth against the furrow slice, as it is turned under.

The proper method for attaching the Weed Hook Assembly, Part No. 105202, to the Economy Plow beam is illustrated in Figure 22. Note that the weed hook is attached so that the U-bolt on the bracket is about three inches from the first bolt in the plow beam. Be sure the weed hooks are assembled so that the short tines are over the long tines and to the front, as shown in Figure 22.

If abnormal forces cause the tines to become twisted and out of position, they can be bent to their original position.

MOLDBOARD EXTENSIONS

Moldboard Extensions (see Figure 22) are available as extra equipment for use on the General Purpose, Sod and Clay, Scotch and Economy Sod and Clay Bottoms. These extensions are used in certain types of soils to give the furrow slice an additional "roll" as it leaves the moldboard tip. These extensions are effective in turning old sod that has a tendency to "edge up" instead of breaking over when only the regular moldboard is used.

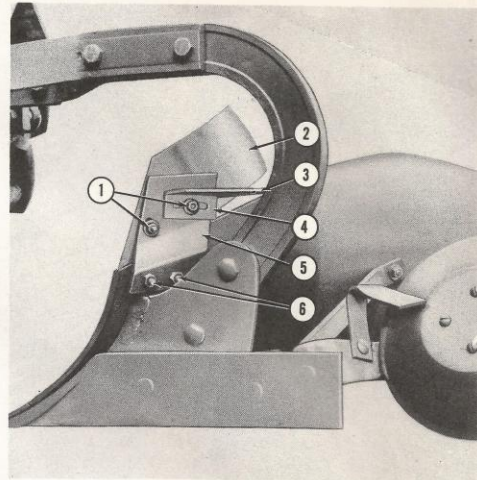


Figure 23

Coverboard for Economy Plow

COVERBOARD ATTACHMENT

The coverboard is an effective attachment to aid in covering heavy trash without plugging. It does a good job of covering corn stalks, soy bean residue, straw and trash. Additionally, it keeps trash from lodging in the curve of the plow beam.

The Coverboard Assembly, Part No. 109243, is shown attached to the Economy Plow moldboard in Figure 23, and is installed as follows:

1. Remove the two $\frac{7}{16}$ " x $1\frac{1}{4}$ " bolts holding the upper part of the shin and the top of the moldboard to the frog. Discard these bolts.
2. Attach the coverboard bracket (5), Figure 23 to the moldboard and shin, using two $\frac{7}{16}$ " x $1\frac{3}{4}$ " bolts (6) provided.
3. Assemble the coverboard (2), Figure 23 to the coverboard bracket (5), using two $\frac{3}{8}$ " x $1\frac{1}{4}$ " bolts (1), flatwashers and nuts provided. Make sure the coverboard wedge (4) is attached to the rear bolts, and the point adjusted to contact the plow beam as shown at (3). The wedge (4) serves as an important brace when deep plowing is practiced.

**SHIPPING, ASSEMBLY AND
PRE-DELIVERY SERVICING**

SHIPPING INFORMATION

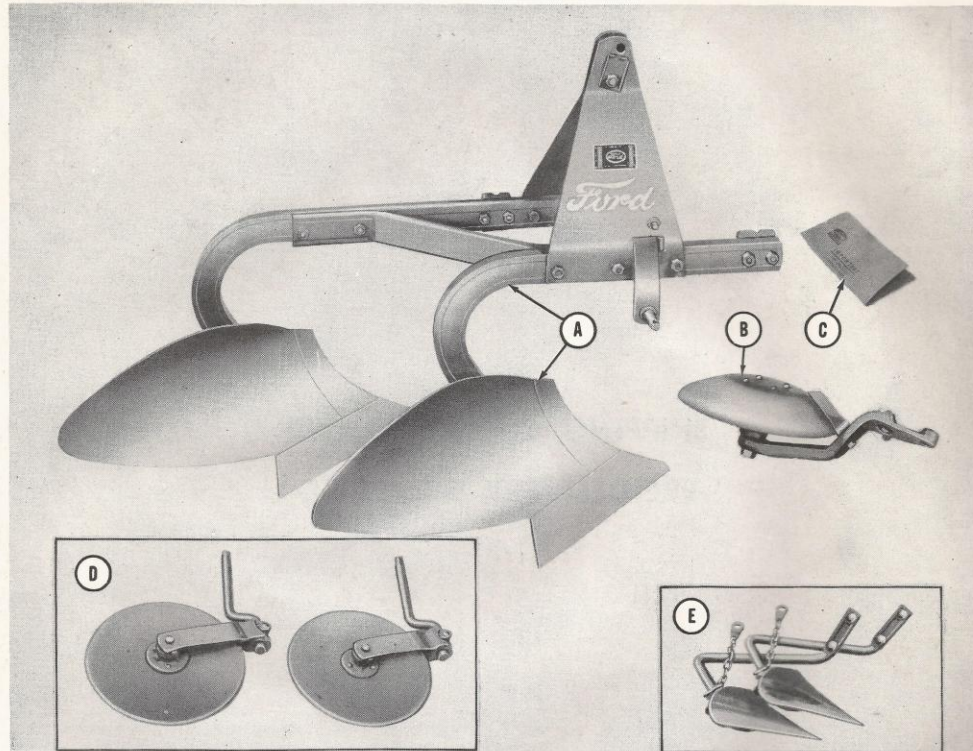


Figure 24

Implement Breakdown for Shipment

NOTE: Assembly of the Ford Economy Plow is the responsibility of the Ford Tractor and Implement Dealer. The plow should be delivered completely assembled. The following instructions are provided in case of need.

SHIPPING INFORMATION

The Ford Two Bottom Economy Plow is shipped in two bundles which contain the parts listed below. Check the shipments against this list and Figure 24 to be sure all parts are received.

Item	Description
A.	Plow frame with bottoms attached.
B.	Rolling landside assembly.
C.	Owner's Manual (taped to plow frame).

NOTE: The Ford Three Bottom Plow is shipped as a two bottom plow and includes the addition of a third beam bundle which should be assembled as outlined on page 23, "Plow Conversion Procedure."

The coulters (see insert D, Figure 24) and the jointers (see insert E) are sold separately and are bundled for shipment as shown.

ASSEMBLY

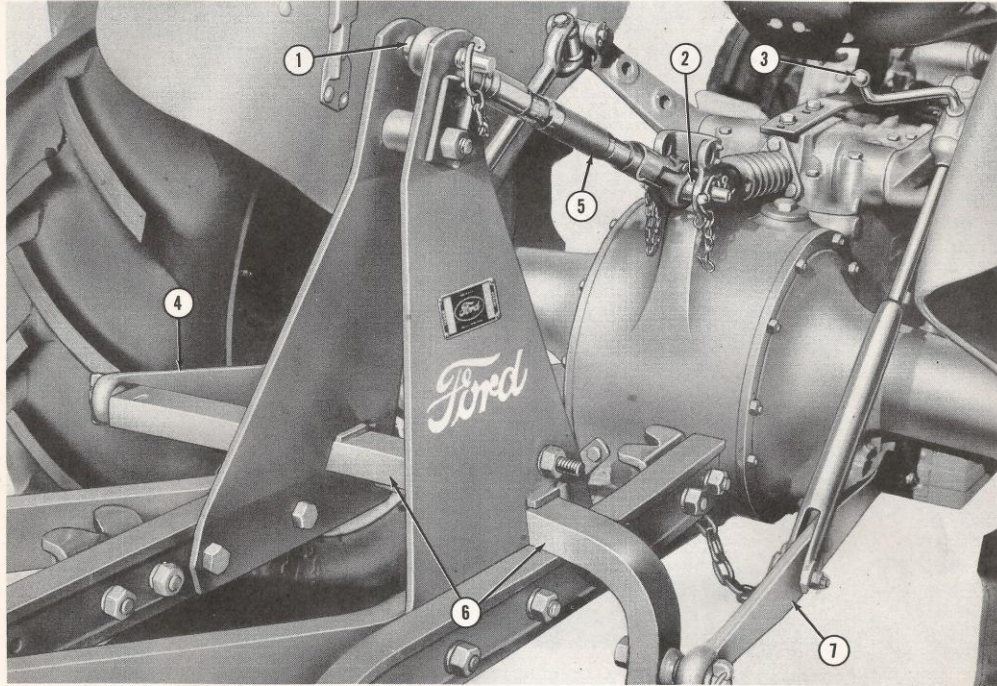


Figure 25

The Economy Plow Attached to the Ford Tractor

ASSEMBLY PROCEDURE

The following steps include the assembly of extra equipment as well as the basic plow.

1. Back the tractor up to the plow frame so that the lower links (4) and (7), Figure 25, are aligned with the plow cross shaft (6) as shown.
 - a. Turn the adjusting crank (3), Figure 25, to align the right tractor link (7) with the right side of the cross shaft (6).
 - b. Attach the lower links (4) and (7), Figure 25, to each end of the cross shaft and secure with the linch pins provided. Attach the left link first.
 - c. Attach the tractor top link (5), Figure 25, to the top of the A-frame with the pin (1) and linch pin.
 - d. Attach the forward end of the top link (5), Figure 25, to the lower hole on the tractor rocker assembly with the pin (2) and secure with the linch pin provided.
2. Where coulters are used, they should be attached to the forward end of each beam as follows:

ASSEMBLY

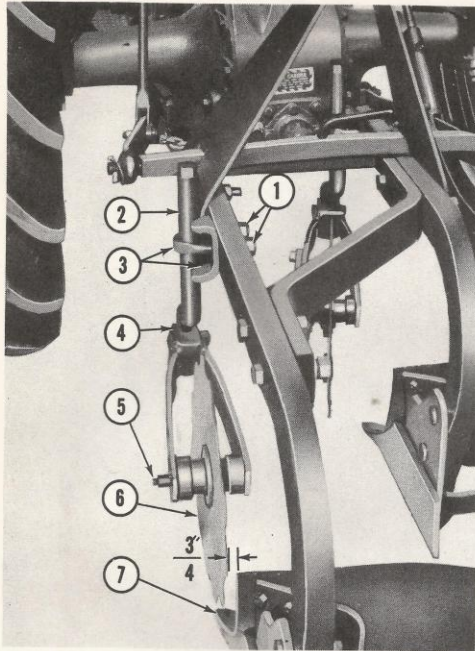


Figure 26

Coulters Attached

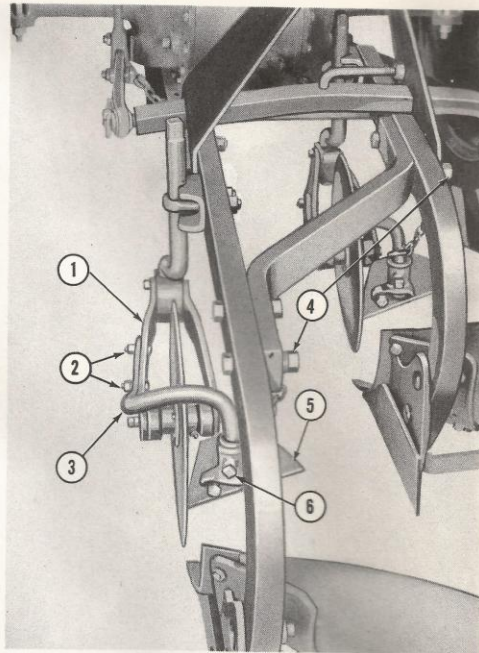


Figure 27

Jointers Attached

- a. Attach the coulters stem (2), Figure 26, to the left side of each beam with the stem seat and U-bolt clamp (3).
- b. Adjust the coulters for depth and width of cut desired and tighten the U-bolt nuts (1), Figure 26, securely.
- c. The swing of the coulters (6), Figure 26, may be controlled by loosening the nut (4) on the limit stop and adjusting the stop. Tighten the nut (4), Figure 26, **SECURELY**.

NOTE: *This nut must be kept tight at all times.*

- d. Adjust the nut on the bolt (5), Figure 26, to take up excess play in the bearings and secure with the locknut provided.

3. When jointers are used, one should be attached to each coulters as follows:

- a. Attach a jointer arm (3), Figure 27, to the left side of each coulters fork (1) with the two carriage bolts (2), lockwashers and nuts.
- b. Adjust each of the jointers (5), Figure 27, by loosening the set screw (6) and setting the point lightly against the coulters blades (6), Figure 26.

- c. Remove the nuts (4), Figure 27, and attach the check chains to the bolts in the plow frame as shown. Replace the nuts (4) and tighten securely.

ASSEMBLY

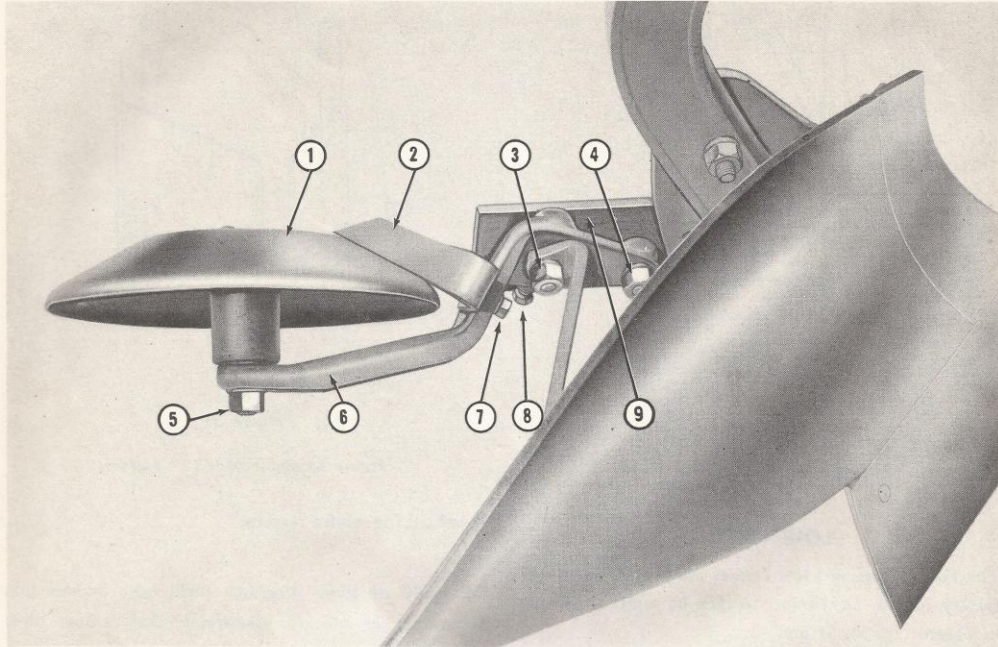


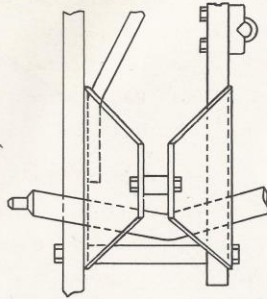
Figure 28

Rolling Landside Attached

4. Attach the rolling landside assembly to the rear bottom as follows:
 - a. Remove the nuts, lockwashers and shipping spacers from the bolts (3) and (4), Figure 28.
 - b. Discard the spacers and bolt the rolling landside arm (6), Figure 28, to the rear bottom sliding landside (9) with the plow bolts (3) and (4). Do not tighten at this time.
 - c. Raise the plow with the Ford Tractor Touch Control Lever until the rear bottom assembly is clear of the ground.
 - d. For the Economy Bottom, turn the adjusting bolt (8), Figure 28, until the rolling landside (1) is not more than $\frac{1}{2}$ inch below the lower edge of the sliding landside (9). Secure with the jam nut provided.
 - e. Tighten the nuts on the bolts (3) and (4), Figure 28, securely and lower the plow to the ground.
 - f. Adjust the scraper (2), Figure 28, so that it just touches the rolling landside (1) and secure with the carriage bolt (7), lockwasher and nut.

NOTE: For the Standard Bottoms, the rolling landside should be from $\frac{3}{8}$ to $\frac{1}{2}$ inch below the lower edge of the sliding landside.

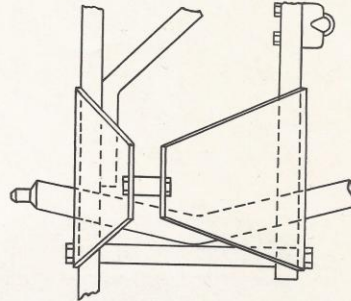
ASSEMBLY



10"

Figure 29

Frame Assembled for 10" Bottoms



14"

Figure 31

Frame Assembled for 14" Bottoms

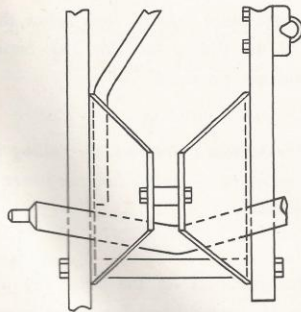
FLOW FRAMES

The Ford Economy Plow frames are assembled at the factory for 10, 12, 14 and 16 inch bottoms, as shown in Figures 29, 30, 31 and 32.

These diagrams are provided as guides for the proper assembly of plow frames which may have been dis-

sembled for service reasons.

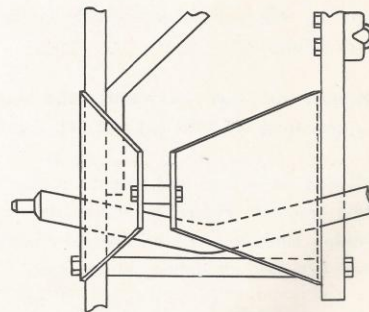
A study of these diagrams will assist owners and operators in quickly identifying the various plow models with respect to frame sizes and the sizes or models of moldboards to be used for satisfactory operation.



12"

Figure 30

Frame Assembled for 12" Bottoms



16"

Figure 32

Frame Assembled for 16" Bottoms

ASSEMBLY

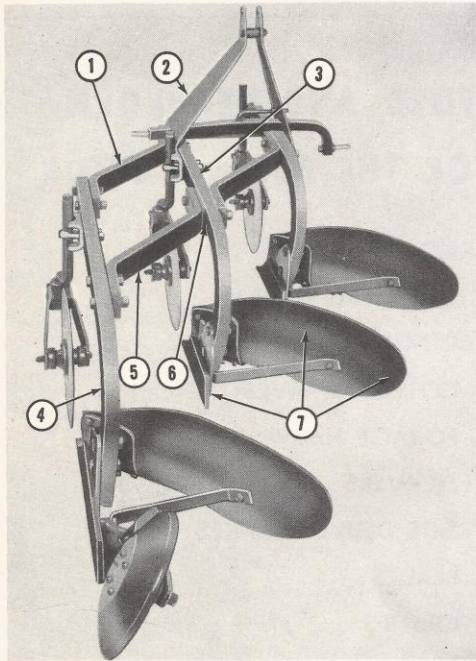


Figure 33

Converting the Ford Economy Plow

PLOW CONVERSION PROCEDURE

The Ford Two Bottom Plow may be readily converted to a Three Bottom Plow by means of Third Beam Conversion Kits.

The Model 10-61 Third Beam Conversion Kit is used for the 10" Frame, Model 10-62 for the 12" Frame and Model 10-63 for the 14" Frame. The following bottom assemblies are available for the above Conversion Kits:

- Model 10-162 Scotch Bottom 10"
- Model 10-164 Economy Bottom 12"
- Model 10-41 Sod and Clay Bottom 12"
- Model 10-218 Economy Sod and Clay Bottom 12"

- Model 10-220 Economy Sod and Clay Bottom 14"
- Model 10-166 Economy Bottom 14"
- Model 10-168 Economy Combination Bottom 14"
- Model 10-36 General Purpose Bottom 14"
- Model 10-170 Stubble Bottom 14"

To add a third bottom to the 14" plow as shown in Figure 33, remove the rear bottom and rolling land-side from the beam (3) and attach it to the third beam (4). Attach the third bottom (7) to the center beam (3), Figure 33. Attach the beam (4) to the beam (3) with the braces (1) and (5) as shown in Figure 33. Use a spacer (6) between the beam (3) and the brace (5).

For the conversion of the 12" two bottom plow frame to a three bottom frame, the spacer (6), Figure 33, is also used between the brace (1) and the beam (3).

PRE-DELIVERY SERVICE AND INSPECTION

After the plow has been completely assembled it should be lubricated and adjusted according to the following recommended procedures:

1. Lubricate the coulters bearings and rolling land-side with a good grade of gun grease.
2. Check the coulters bearings and adjust to take up any play. (Do not tighten the bearings excessively).

IMPORTANT: *The coulters bearings should be rechecked frequently during the break-in period of the plow to avoid bearing damage by entry of small pebbles or other abrasive material. Take up the coulters bearings as required until the mating surfaces provide a reasonable seal against entry of abrasive materials.*

3. Check the new plow completely and adjust it to the approximate settings for the soil conditions in which it will be used.

**SEE THIS GREAT LINE OF FORD AND DEARBORN
IMPLEMENTS ENGINEERED FOR THE FORD TRACTOR**

DISC PLOWS

DISC TILLERS

FIELD CULTIVATORS

MIDDLEBUSTERS

MOLDBOARD PLOWS

ONE-WAY PLOWS

SUBSOILERS

BUSH & BOG HARROWS

FOLD-OVER HARROWS

SPRING TOOTH HARROWS

TANDEM DISC HARROWS

CORN PLANTERS

CORN & COTTON PLANTERS

GRAIN DRILLS

ROTARY HOES

ROW CROP CULTIVATORS

SIDE DRESSERS

HAY BALERS

COMBINES

CORN HARVESTERS

CORN PICKERS

COTTON HARVESTERS

FORAGE HARVESTERS

MOWERS

SIDE DELIVERY RAKES

BLADES

CRANES

FRONT & REAR LOADERS

SCOOPS

LIME & FERTILIZER SPREADERS

MANURE SPREADERS

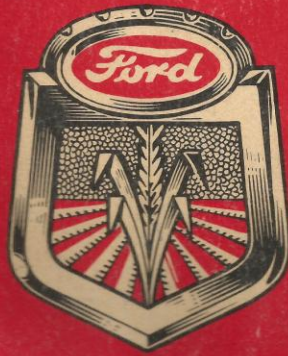
WAGONS

CORDWOOD SAWS

DRIVER & BREAKERS

POST HOLE DIGGERS

ROTARY CUTTERS



LITHO IN U.S.A.